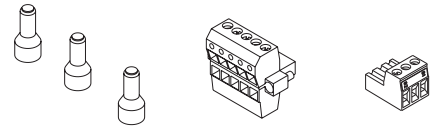




# Overload Relay Replacement

(Cat 193-NREC1ZZ; -NREC3ZZ; -NREC5ZZ)

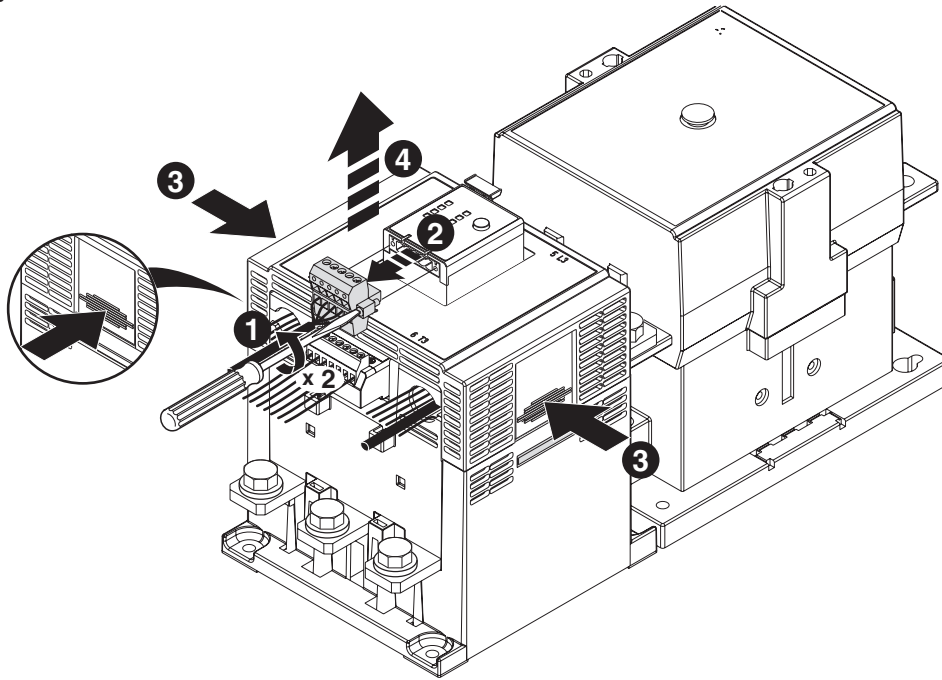


**WARNING**

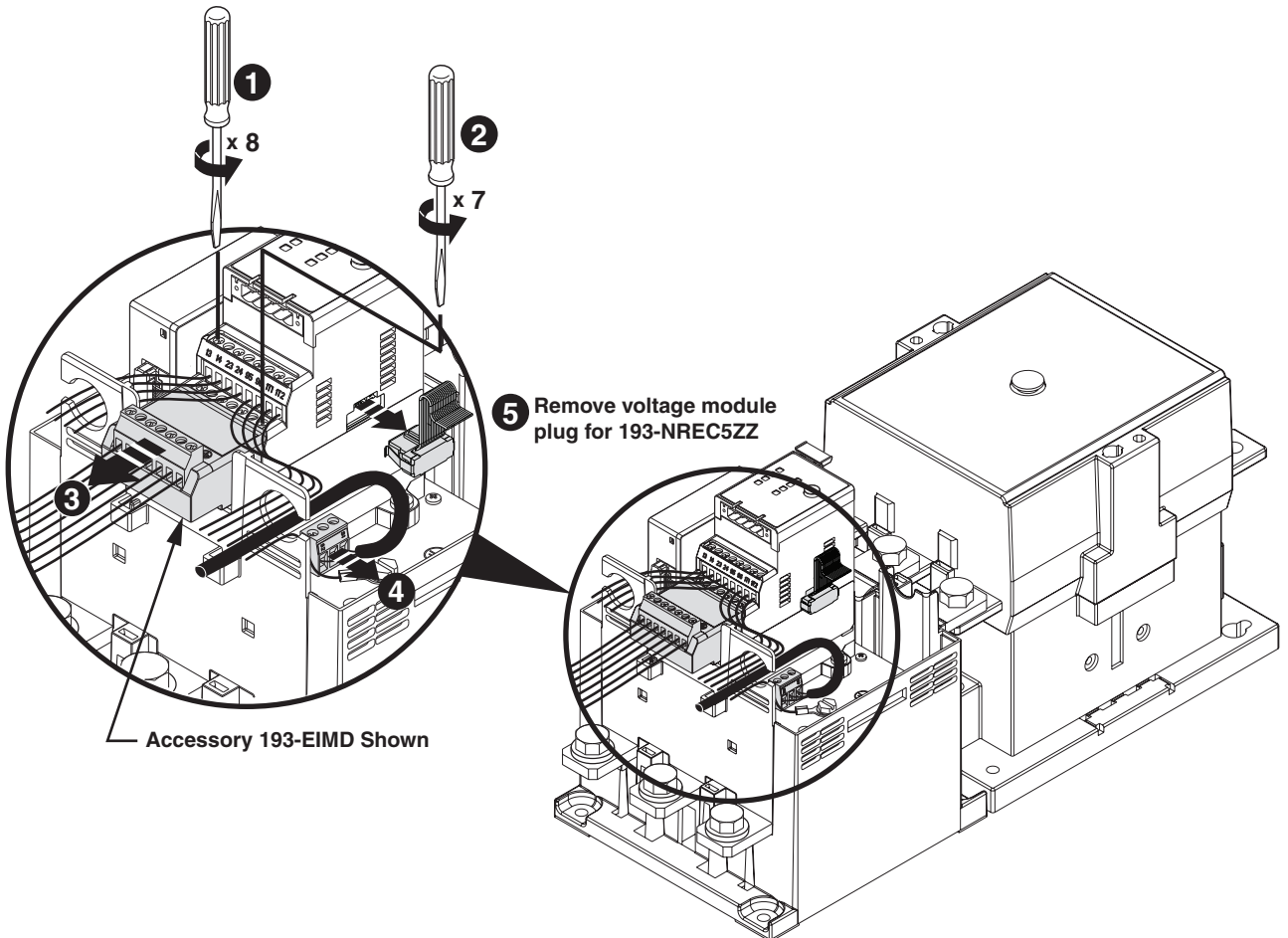
To prevent electrical shock, disconnect from power source before installing or servicing.

## Disassembly

**1**



**2**

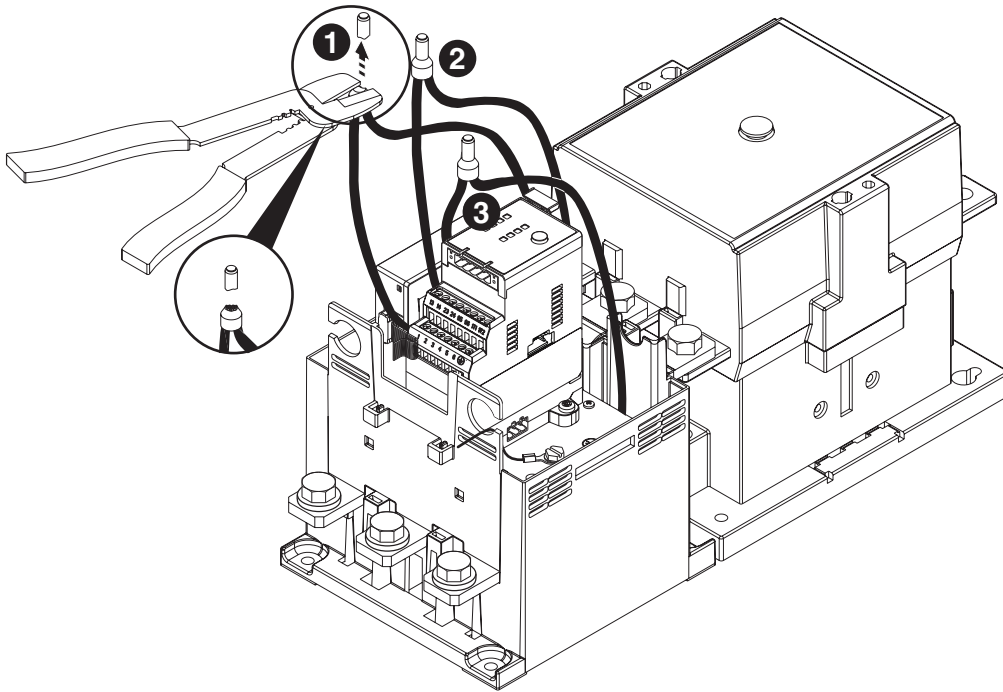


3

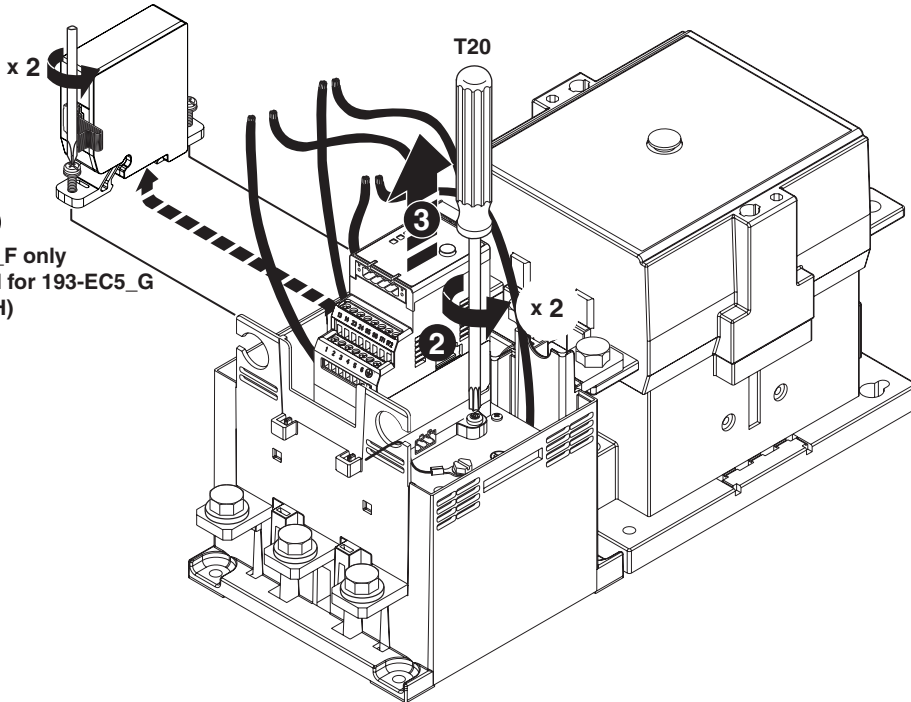


**WARNING**

Label or identify phase wires before cutting.

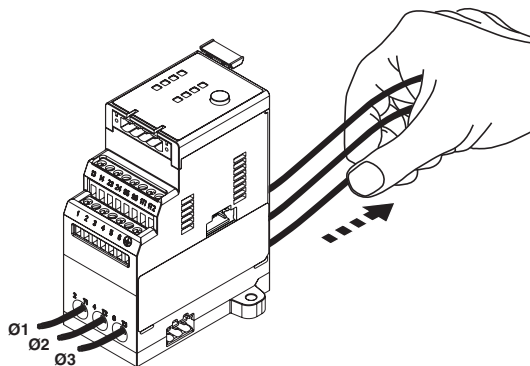


4



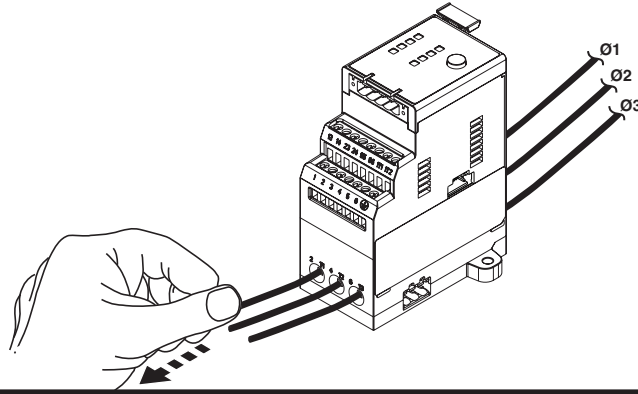
1  
For 193-EC5\_F only  
(Not required for 193-EC5\_G  
or 193-EC5\_H)

5

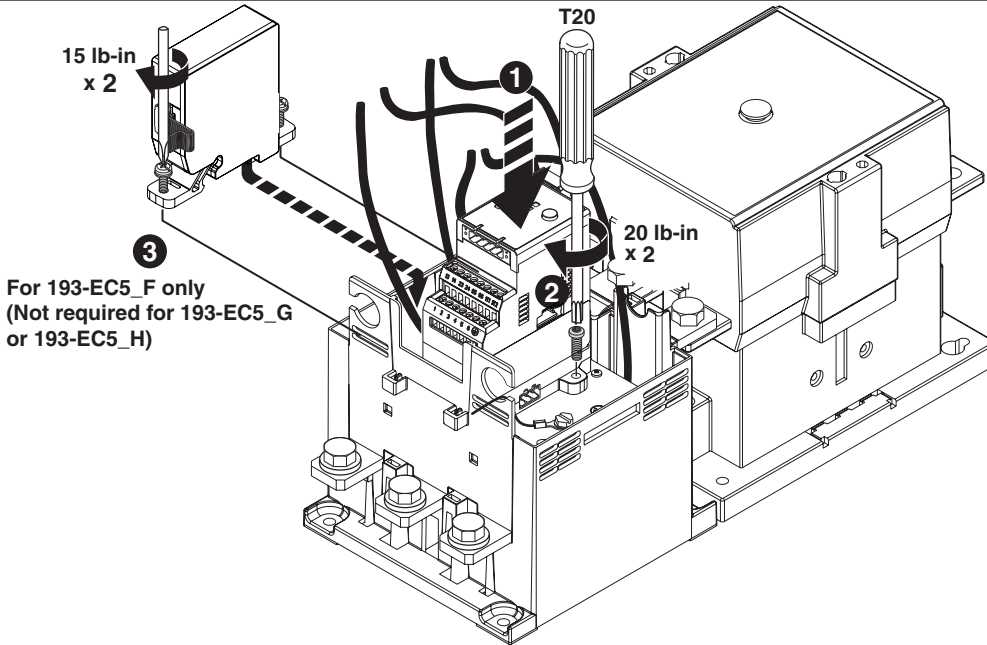


# Reassembly

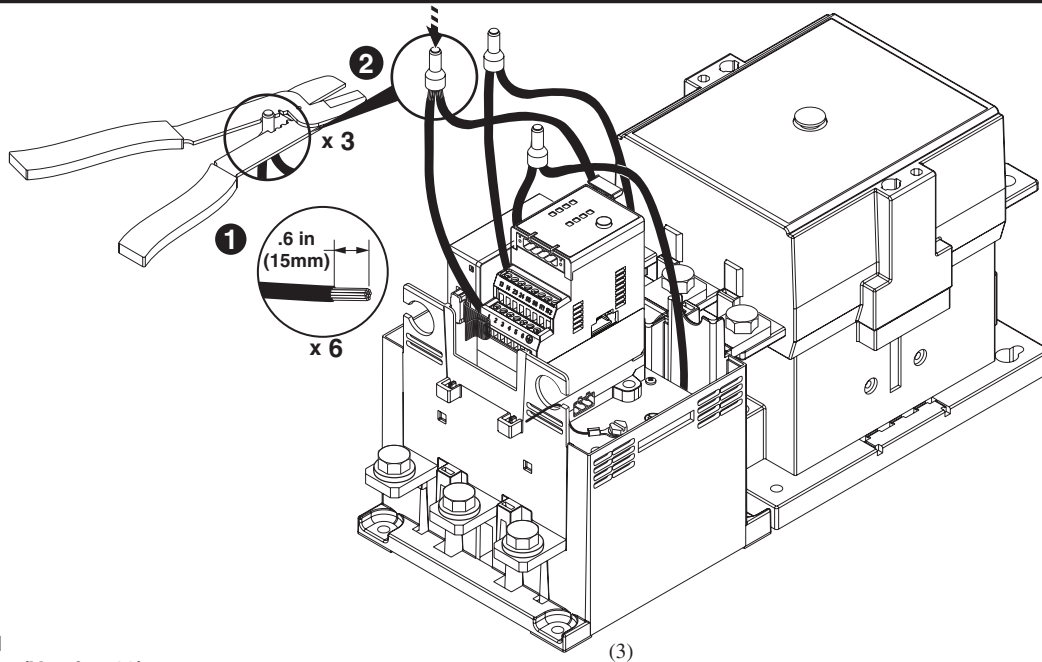
**6** **WARNING** Be sure to run Phase 1, 2 and 3 through Phase 1, 2 and 3 of overload, respectively.



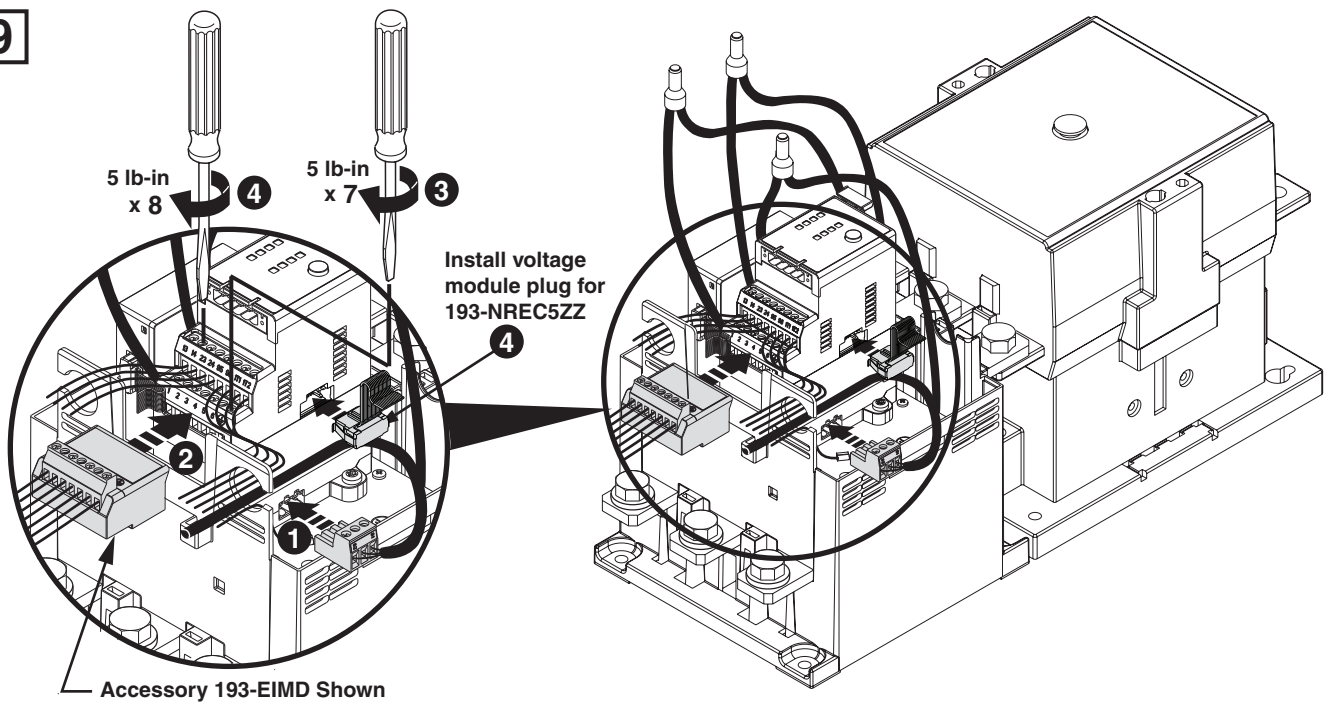
**7** **WARNING** Do not cross or mix-up phase wires while reconnecting.



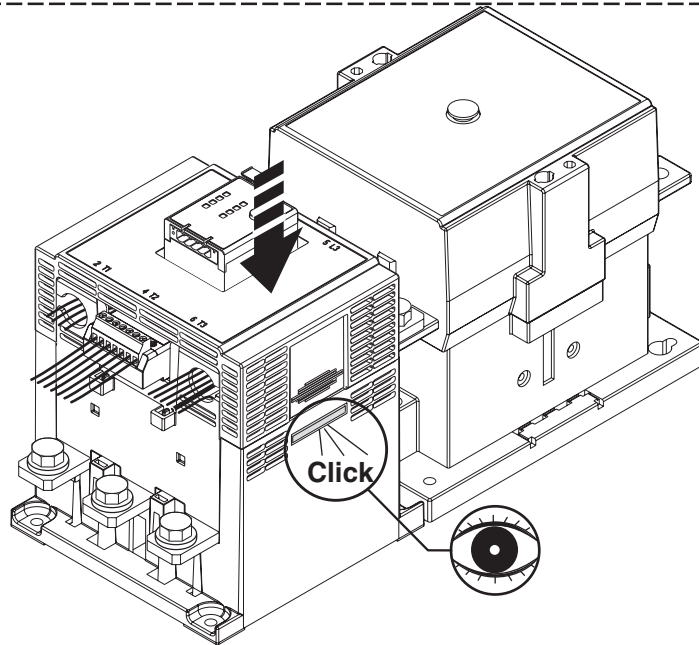
**8** **WARNING** Check for wire secureness after crimping.



9



10



11

