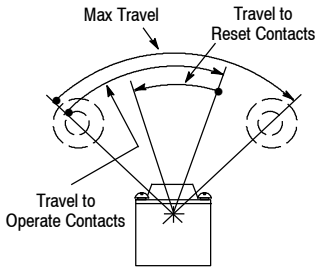
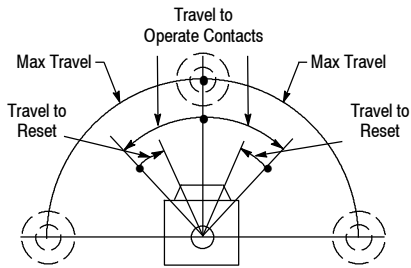


802T Lever Type • Maintained Contact and Neutral Position Plug-in Style Oiltight Switches

Range of Operation



Maintained Contact Models



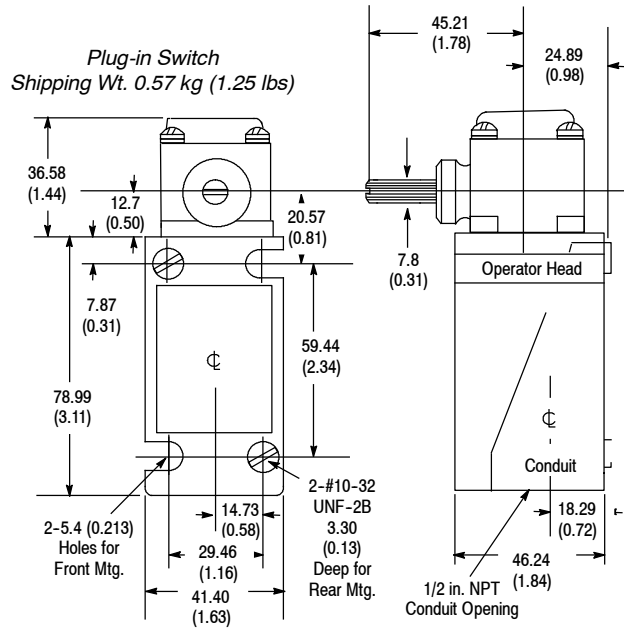
Neutral Position Models



Switch Without Lever

Switch Without Lever and Base

Approximate Dimensions [mm (in.)]



Product Selection—Maintained Contact Models

No. of Circuits	Lever Movement vs. Contact Operation	Torque to Operate (Max.)	Travel to Operate Contacts (Max.)	Max Travel	Travel to Reset Contacts (Max.)	Cat. No.	
						Switch w/o Lever	Switch w/o Lever & Base
2	Clockwise or Counterclockwise 	0.31 N•m (2.75 lb•in)	70° ⚙	88° ⚙	32°	802T-AMP	802T-AMP1
4	Clockwise or Counterclockwise 	0.32 N•m (2.8 lb•in)				802T-AMTP	802T-AMTP1

⚙ From one maintained position to another.

Product Selection—Neutral Position Models

Lever Movement vs. Contact Operation	Torque to Operate (Max.)		Travel to Operate Contacts (Max.)	Max Travel	Travel to Reset Contacts (Max.)	Cat. No.	
	Clockwise	Counter-clockwise				Switch w/o Lever	Switch w/o Lever & Base
	0.28 N•m (2.5 lb•in)	0.47 N•m (4.2 lb•in)	13°	75°	7°	802T-NPTP	802T-NPTP1

Levers—See page 5-130 for a complete listing of operating levers.

Modifications and Accessories—See page 5-53.